

HMT Series High Mast Tower

HIGH MAST LIGHTING

100-277V

**LM79
LM80**

IP68



PROJECT INFORMATION

Project Name _____

Catalog No. _____ Date _____

DESCRIPTION

The HMT-Series are the lightest by weight, passively cooled High Mast light fixtures in the market with a system efficacy of more than 150 lm/Watt within its full operating range of -55°C to +60°C. Because they are passively cooled, which means no fans or other mechanical parts are involved in the cooling process, there is nothing that can fail. The HMT Series of ActiveLED® High-Mast Tower Light for illuminating Parking Lots, Pedestrian Areas, Property Perimeters and Overpasses on High-Mast Towers of 100' to 150' in height. The HMT Series Fixtures provide crisp bright lighting to replace legacy bulb-technology MH and HPS luminaires.

Applications include: Parking Lots, Sports Arenas, Ice Rinks, Building and Property Perimeters, Overpasses, Rail Yards.



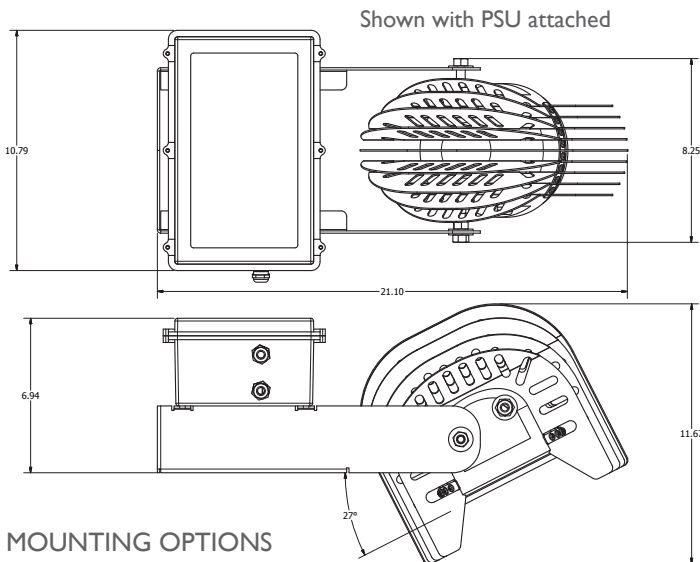
HMT Series 60/80 Watt



HMT Series 120/160 Watt with PSU attached

HMT Series High Mast Tower

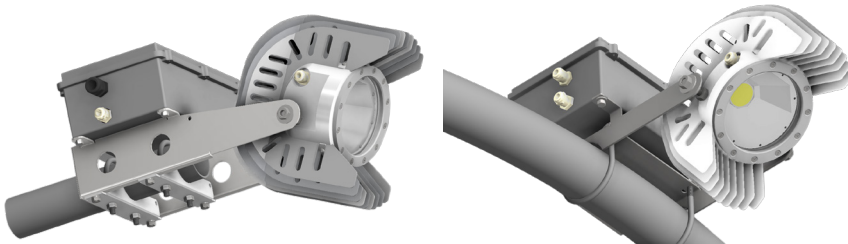
DIMENSIONS



FEATURES

- Sealed and filled with inert gas, no fogging or oxidation of reflectors. Guaranteed for 10 years for up and down shining applications in wet environments.
- Choice of 45° and 60° beam angles with sharp cutoff to reduce glare and light pollution
- ThermalDRAW™ Cooling Technology - Patented cooling technology ensures LED components will equal or exceed warranty.
- LUM-INTENSE™ - LED lighting luminaire technology that combines recent advancements in LED Modules, Drivers and Optics to deliver more Lumens per Watt in a smaller package.
- Separate Driver / Electronics may be installed with the unit on top of the mast or remotely at the base of the Mast / Tower.
- Warranty - 10 Year Warranty on LED elements, fixture housing, and LED Driver.

MOUNTING OPTIONS



Slip Fitter
Part # 93-21201674

Ring Clamp
Part # 93-21201165



LIGHT OUTPUT	WATTS	LUMENS per WATT	LIGHT COLOR (CCT)
52,000 Scotopic			
26,000 Photopic	173w	150 lm/W	5000 K

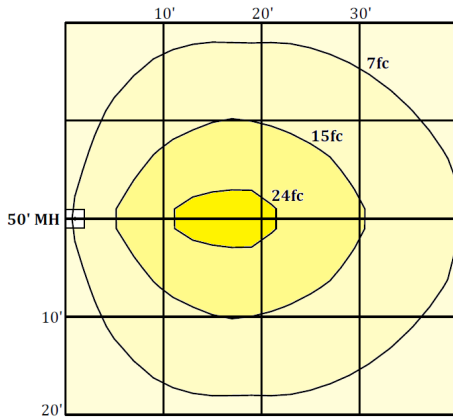
ActiveLED®
Energy Efficient Lighting and Controls



HMT Series High Mast Tower

HIGH MAST LIGHTING

PHOTOMETRICS



PERFORMANCE DATA

AMBIENT TEMPERATURES	0 HOURS	45,000 HOURS	90,000 HOURS
77°F (25°C)	1.00	0.99	0.99
104°F (40°C)	1.00	0.98	0.96
131°F (55°C)	1.00	0.96	0.92
140°F (60°C)	1.00	0.95	0.90

Projected Lumen Maintenance (TM-21)

NOTE: Calculated using data collected according to LM-80 lumen maintenance on the LED package.

NOTE: Photometrics shown for HMT 160W only. Contact company for photometrics on other sizes.

GENERAL SPECIFICATIONS

Input Voltage	Auto-sensing, 100-277 Volts AC, 50/60 Hz 300 - 480V optional. Digital Power Source, dedicated circuit strongly recommended	Lumen Lifetime	L90/90K Hrs @ 60° C (90,000 Hrs with 90% Luminous Flux)
Input Power	66, 87, 130, 173 Watt	LED Optics	IP68 rated, thermally bonded LEDs, borosilicate glass lens w/silicone sealing. Patented thermal management mounting system
Power Factor	> 0.90 (at ~100-277 Volts)	CCT	2700K, 3000K, 3500K, 4000K, or 5000K
THD	Total Harmonic Distortion (THD) <20% (typical 9.9%)	Housing	Aluminum for enclosure and heat sinking parts, stainless steel hardware
Driver	Integrated driver with integral heat sink 0-10V Dimming	Finish	Powder coated after fabrication
Operating Temperature	-58° F to 149° F (-50° C to 65° C)	Dimensions	11.67" Height, 8.25" Wide and 8.5" Length (29.64cm x 20.95cm x 21.59cm)
		Weight	19 pounds (9 kg) Includes driver and mount

WARRANTY

Ten (10) Year Warranty - LEDs, Fixture, and Driver shall conform to its published specifications under normal usage and operating conditions including "no light loss" of more than 10% at the end of the period. LEDs will produce at least 90% of their initial light output with no color shift after 90,000 hours of operation.

LISTINGS AND TESTS

UL listed driver, CE, suitable for wet locations. RoHS compliant. IP68 Rated optical assembly. LM-79 and LM-80 info available. Conforms to FCC Part 15.19 Subpart B Class A. Made in USA - ARRA Compliant. ANSI I36.31-2001 3G

ORDERING INFORMATION

Example: HMTUP-S-4F50160WH

Style	Voltage	PSU	Mount	Optics	Diffuser	CCT	Watts	Color
HMT	U	E	S	4	F	50	60	SL
HMT Series High Mast Tower	208-277 VAC, 50/60 Hz. Digital Dimming	External PSU	Slip Fitter 2 3/8 OD Pipe	45° Pattern	Clear Low Fe Glass (Over the LED only)	5,000K	66W Max, 18800lm Scotopic (9900lm Photopic)	Silver*
	9	P	R	6	FP	40	80	BK
	120-277 VAC, 50/60 Hz. Digital Dimming	With PSU	3" Ring Clamp	60° Pattern	Impact Resistant Polycarbonate Shield	4,000K	87W Max, 26000lm Scotopic (13000lm Photopic)	Black*
	H	N	4K			35	120	BR
	300-480 VAC, 50/60 Hz. Digital Dimming	No PSU LED Light Source Only	3" Knuckle Mount			3,500K	130W Max, 39000lm Scotopic (19500lm Photopic)	Brown*
	N		AT			30	160	BZ
	No PSU LED Light Source Only		10mm All Thread			3,000K	173W Max, 52000lm Scotopic (26000lm Photopic)	Bronze*
						27		CG
						2,700K		Charcoal*
								WH
								White*
								X
								Custom*

* Color for 60 - 80 Watt Fixtures
120 - 160 Watt Fixture, White Only